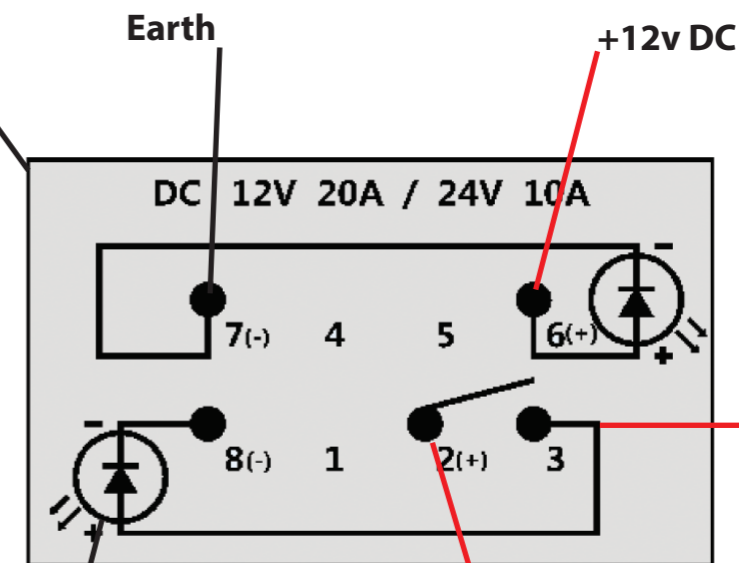
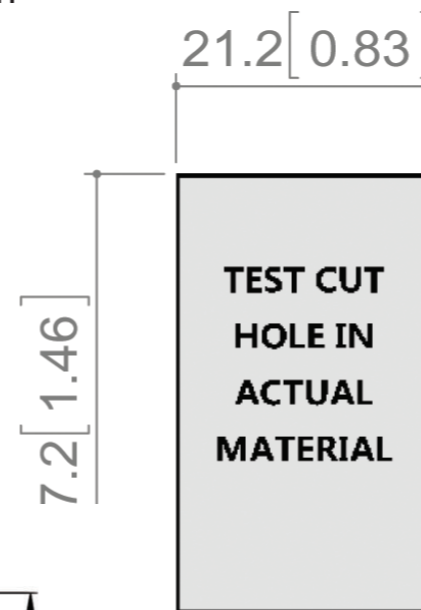
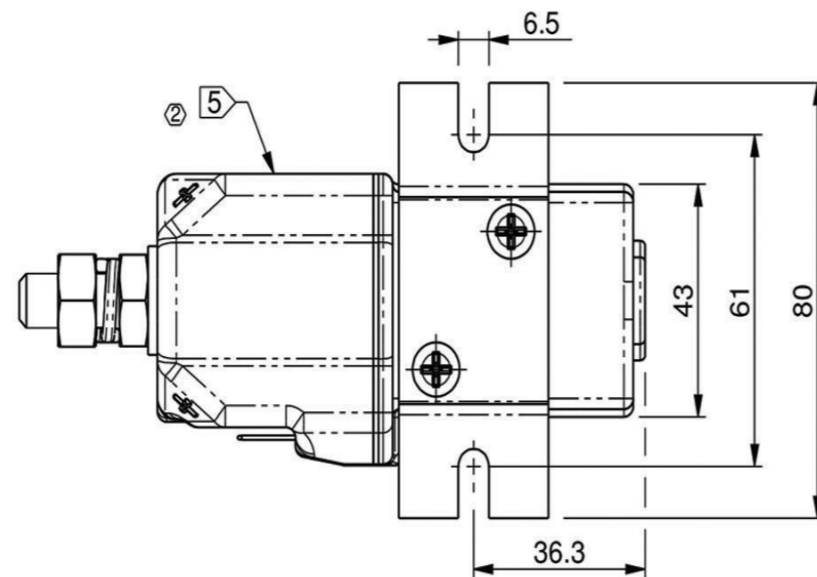
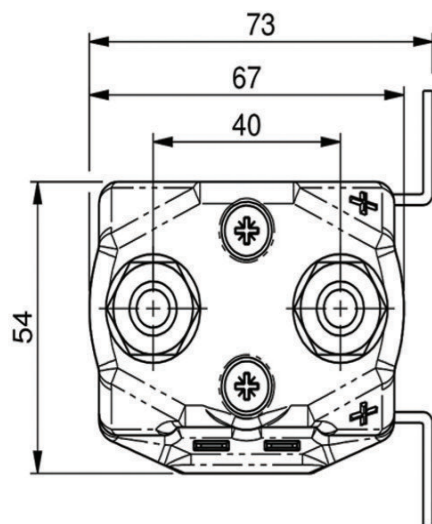
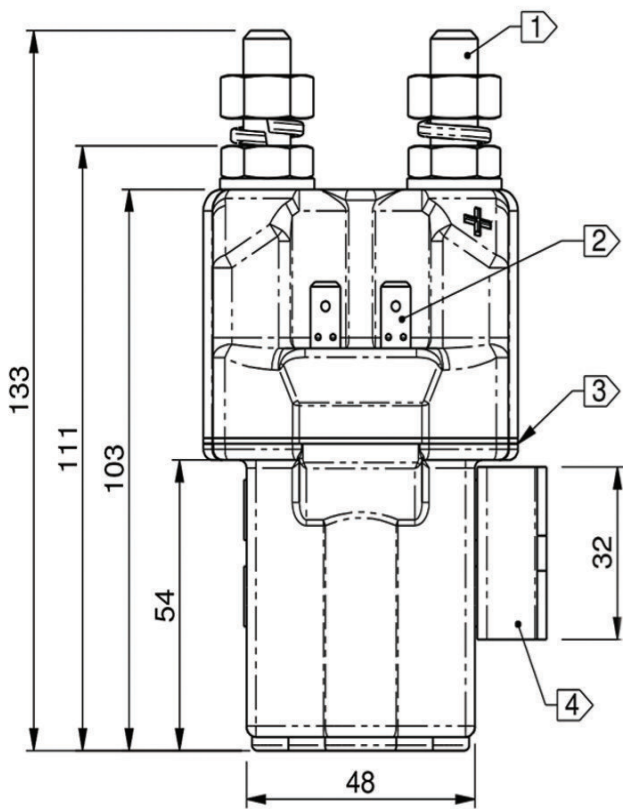


- 2 - 12v Positive Feed
- 3 - 12v Out To Isolator
- 6 - 12v Positive Feed For Switch Illumination (Optional)
- 7 - Earth
- 8 - Earth

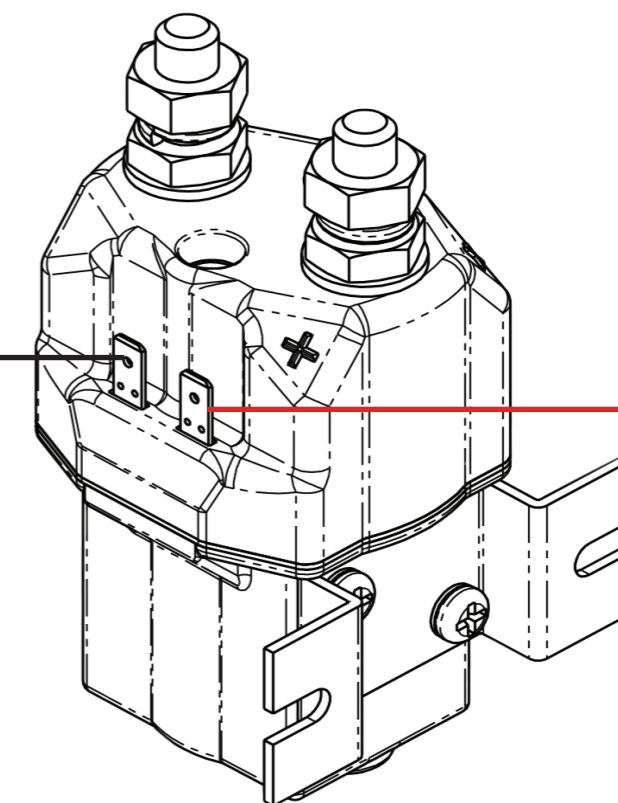
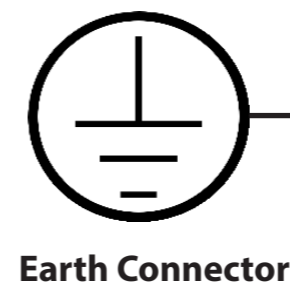


**S.P.S.T. / ON-OFF**

+12v DC Main Feed



- 1 M10 MAIN TERMINALS TO BE TIGHTENED WITHIN RANGE 13.4 - 14.6Nm
- 2 6.3mm SPADE TERMINALS FOR COIL CONNECTIONS
- 3 SILICONE FOAM GASKET FITTED HERE
- 4 MOUNTING BRACKET FITTED HERE
- 5 SWITCH IDENTITY LABEL FITTED HERE



+12v DC Feed

